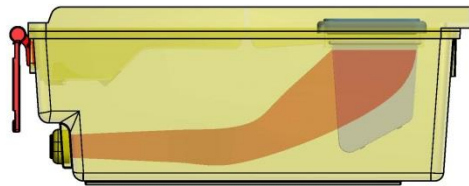
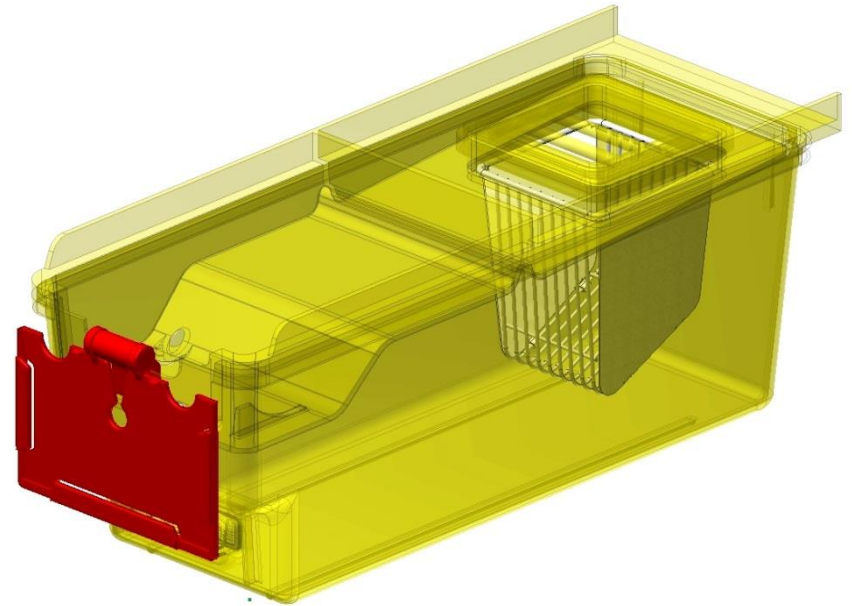
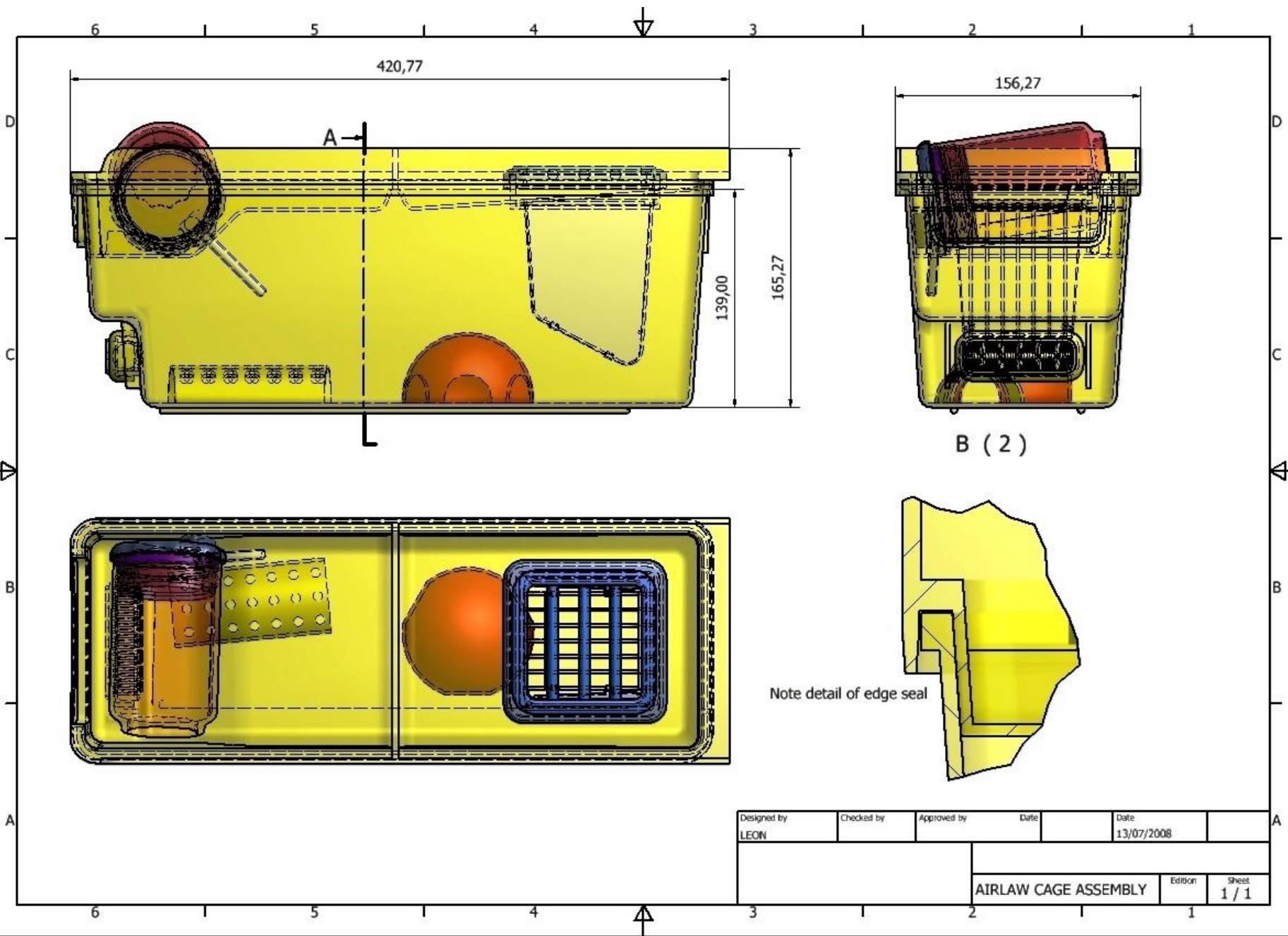


Standard cage with  
either bottle or pouch  
operation



Airflow velocity in cage is low





Designed by LEON	Checked by	Approved by	Date	Date 13/07/2008	
			AIRLAW CAGE ASSEMBLY		





Installing racks and airflow control. Control valve hose and couplings supplied with each rack

The Airlaw cage is simple with only 8 components. Some cages have more than 20 parts to maintain/replace.

