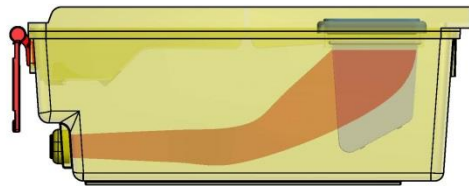
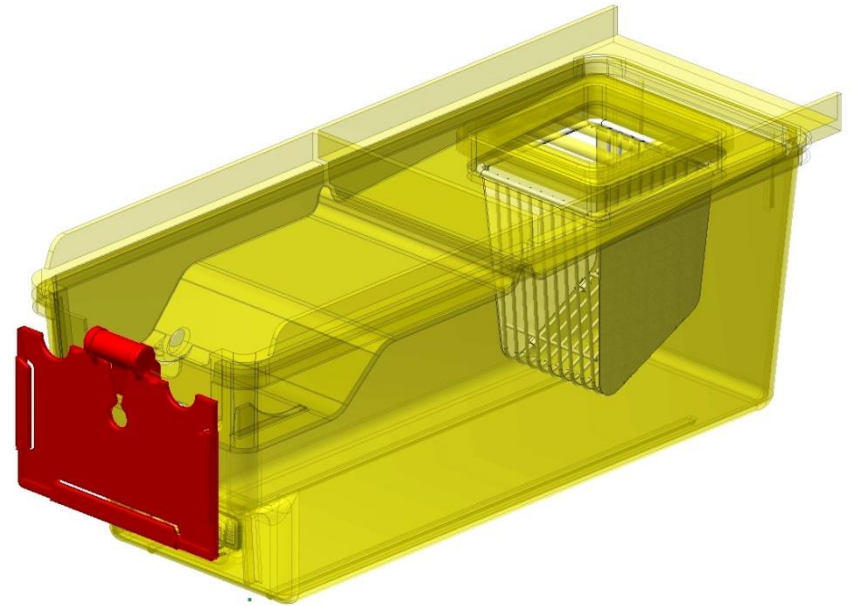
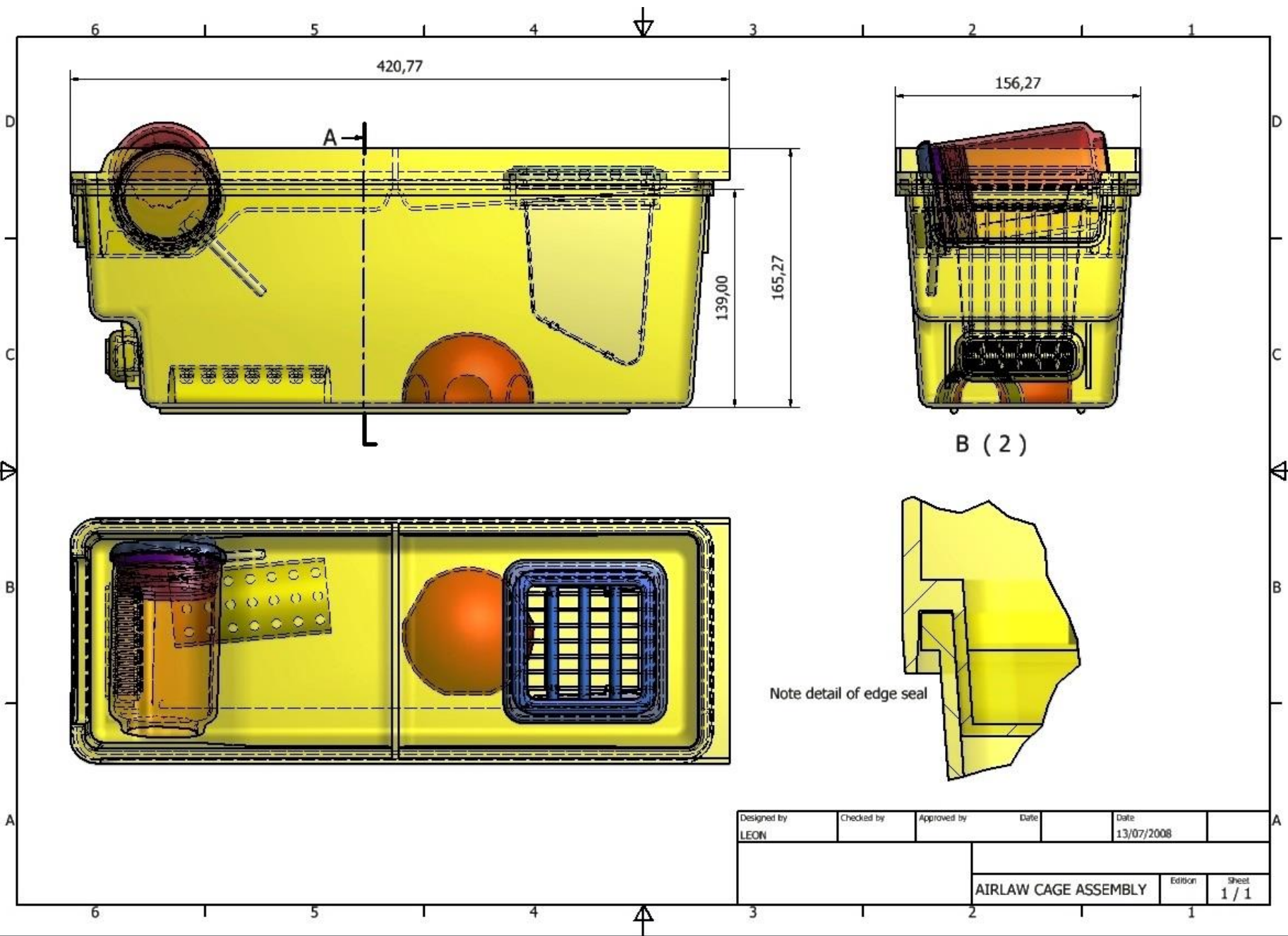


Standard cage with
either bottle or pouch
operation



Airflow velocity in cage is low

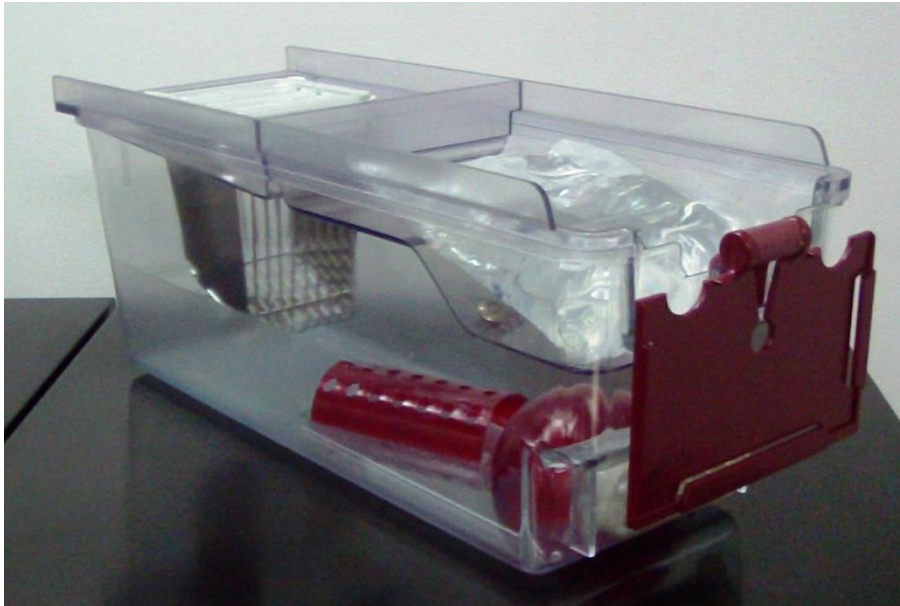




B (2)

Note detail of edge seal

Designed by LEON	Checked by	Approved by	Date	Date 13/07/2008	
			AIRLAW CAGE ASSEMBLY		



Cage with water pouch option.
The Airlaw system has been
approved by Hydropac.

The Airlaw cage is simple with
only 8 components. Some
cages have more than 20
parts to maintain/replace.

